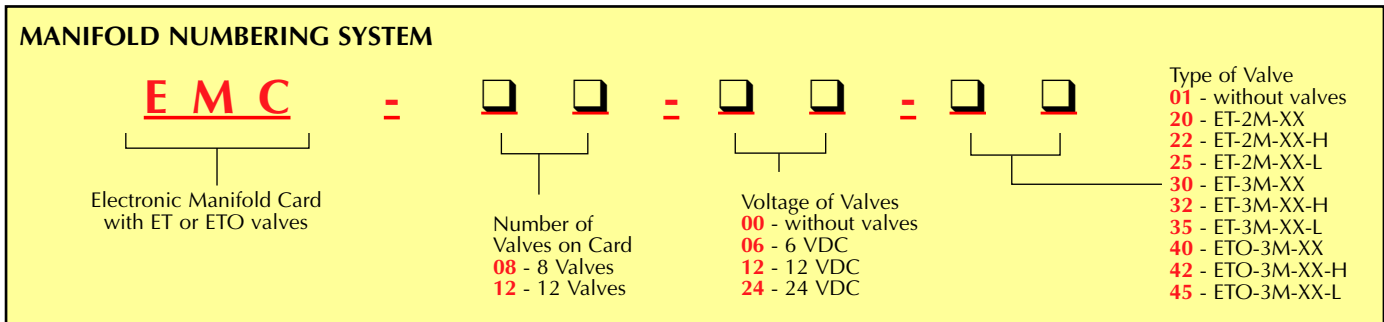




# EMC CARDS



EMC-08-00-01 and EMC-12-00-01 are part numbers for cards without any valves, and without manifold. Manifold mounting hardware is included. Manifolds may be ordered separately, if desired.

Part numbers are: 15482-8 and 15482-12

Convenience in interfacing electronics and pneumatics... fast mounting, completely assembled, manifolded valve cards.

## Clippard Electronic Manifold Cards

Now you can direct low-voltage DC signals from controllers, systems, computers or other sources to operate powerful pneumatic valves with a minimum of piping and hook-up.

Self-contained card includes:

- 8 or 12 Clippard ET interface valves
- Manifold mount for single air supply
- Circuit board fully wired
- Instant plug-in with 25-pin connector
- Resistor, diode, LED and switch for each valve
- Auxiliary power supply connection

Ready to operate quickly. Just mount the card and make external connection.

And each valve may be individually removed and replaced without any need for desoldering!

## Features

- Fast, easy to mount
- Pre-assembled; all valves mounted
- 8 or 12 valve sizes
- 6, 12 or 24 volts DC
- Low power requirements (0.67 watt per valve)
- Choice of valve types
- Each valve switchable
- Shut-off spike protection
- 25-pin connector
- No expensive card rack required